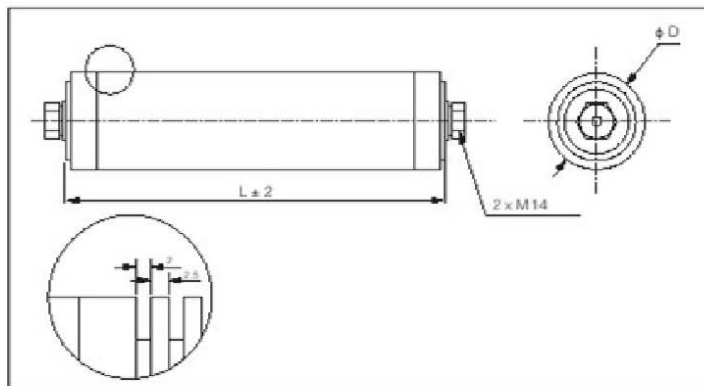


RXLG-A(RXG)

High power aluminium alloy encased resistors



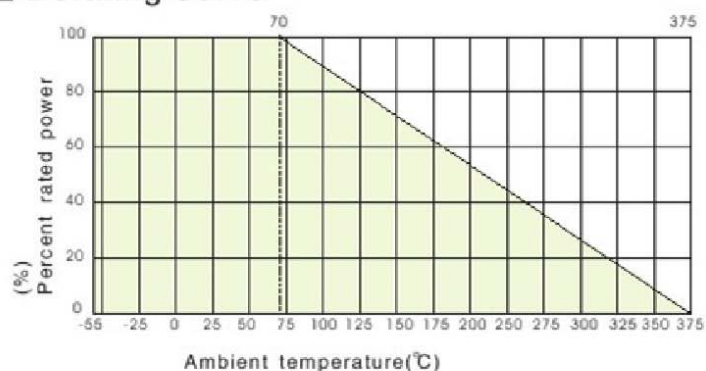
Construction(mm)



Dimensions(mm)

Type	Dimensions(mm)	
	L	D
RXLG-A(RXG) 200	165	51
RXLG-A(RXG) 300	165	66
RXLG-A(RXG) 400	270	51
RXLG-A(RXG) 600	270	66
RXLG-A(RXG) 800	270	85

Derating Curve



Reference Standards

Q/WCD10-2010

Performance

Type	Dimensions(mm)				
	Power (W)	Resistance range	Power rush (W)	Dielectric strength (V)	Insulation resistance (MΩ)
RXLG-A(RXG) 200	200W	2R7 ~ 33K Ω	300W	6000	≥ 1000
RXLG-A(RXG) 300	300W	2R7 ~ 33K Ω	400W	6000	≥ 1000
RXLG-A(RXG) 400	400W	2R7 ~ 47K Ω	600W	6000	≥ 1000
RXLG-A(RXG) 600	600W	2R7 ~ 47K Ω	800W	8000	≥ 1000
RXLG-A(RXG) 800	800w	2R7 ~ 51K Ω	1000W	8000	≥ 1000

Performance

Characteristics	Specifications	Test Methods
Dielectric strength	No electric breakdown or arcover	40~60Hz AC, leakage current 0.5mA, P ₀ Time: 1min ± 5s
Short time overload	No invisible damage, clear mark ΔR ≤ ±(2%R + 0.05Ω)	3P ₀ 5S
Vibration	No clear mechanical damage ΔR ≤ ±(1%R + 0.05Ω)	10~500Hz, 0.75mm, 98m/s ² , 3h
Bump	No clear mechanical damage ΔR ≤ ±(1%R + 0.05Ω)	245m/s ² , 40~80次/min, 2000 times
Thermal shock	No invisible damage, clear mark ΔR ≤ ±(2%R + 0.05Ω)	P ₀ , 30mins, -40℃, 15mins
Load life	ΔR ≤ ±(5%R + 0.05Ω)	P ₀ , 1000h, 1.5h on, 0.5h off