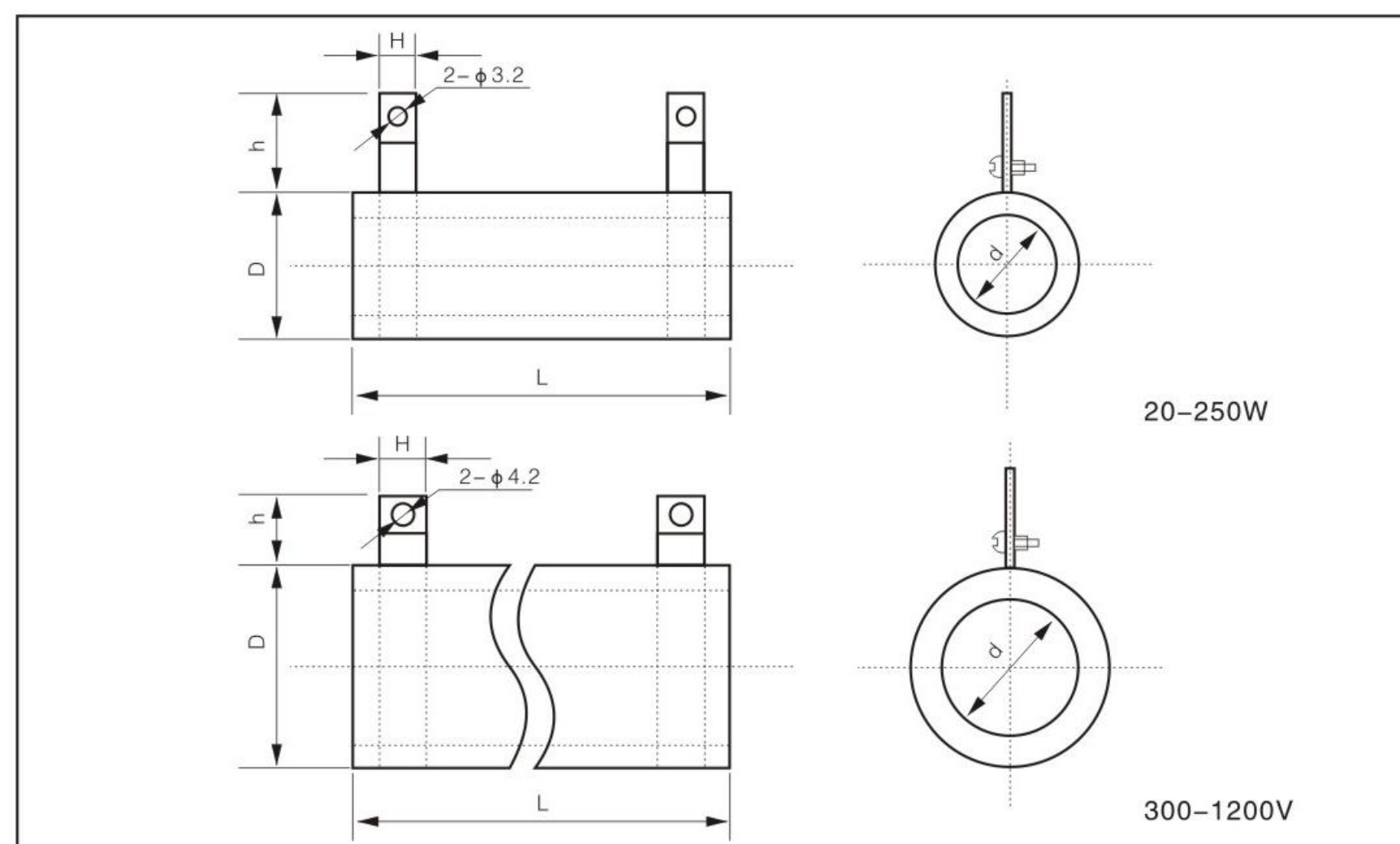




## Construction(mm)



## Features

- Wide power range
- Excellent high temperature load performance
- T series is adjustable
- N series is noninductive
- Full-welded structure
- High reliability
- Imported grey and green coating, character marking assembly and fittings(available)

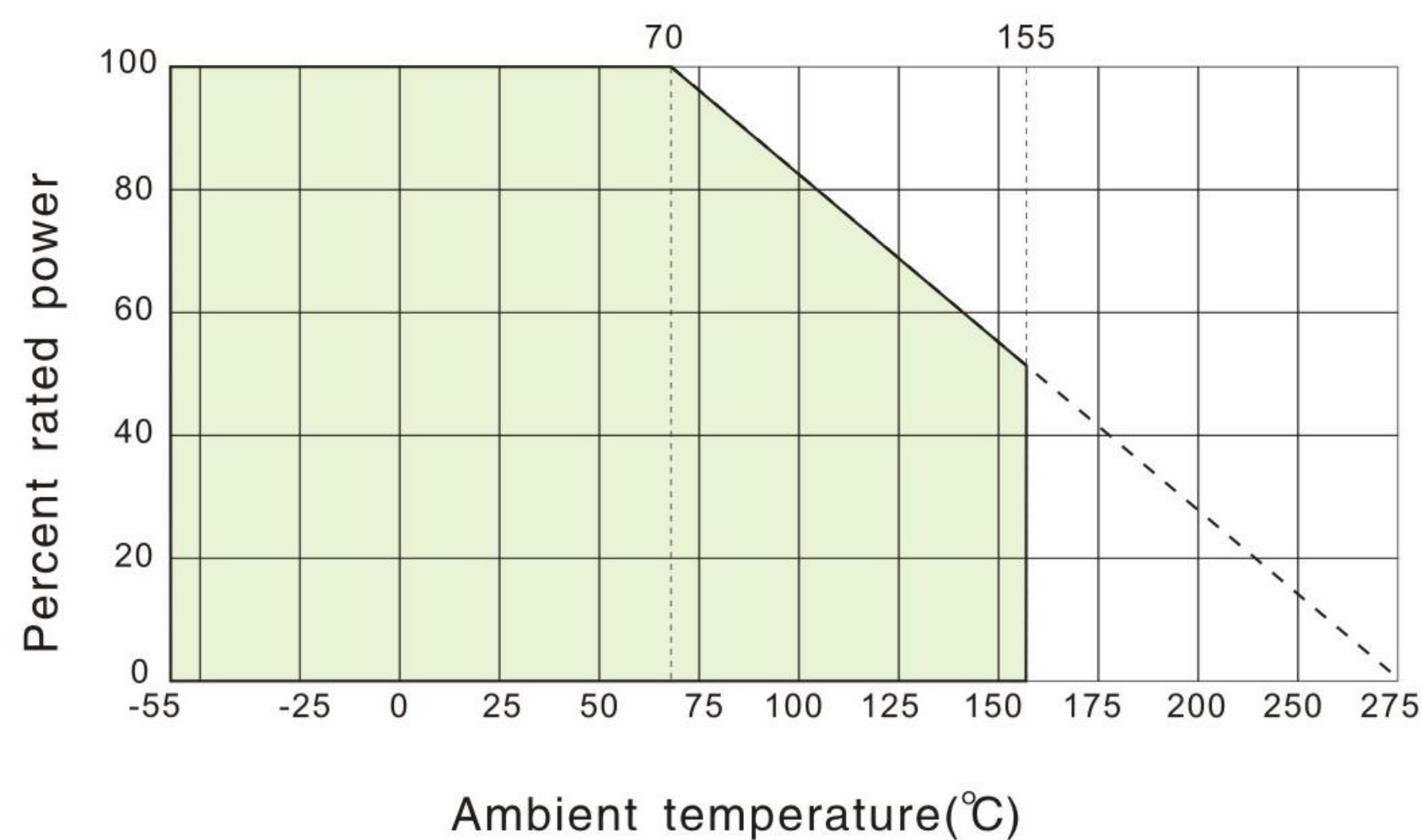
## Dimensions(mm)

Type	Dimensions(mm)					
	L	D	d	H	h	φ
RXGI-10W	41	14	5.5	4.5	14	2
RXGI-15W	45	17	8	4.5	14	2
RXGI-20W	51	17	8	4.5	14	2
RXGI-25W	51	21	12	4.5	14	2
RXGI-30W	71	21	12	4.5	14	2
RXGI-40W	87	21	12	4.5	14	2
RXGI-50W	91	29	20	6	14	3.2
RXGI-75W	140	29	20	6	14	3.2
RXGI-100W	165	29	20	6	14	4.5
RXGI-150W	216	29	20	10	16	4.5
RXGI-200W	267	29	20	10	16	4.5
RXGI-300W	216	34	20	10	17	5
RXGI-500W	300	62	45	16	30	6.5
RXGI-800W	500	65	45	16	30	6.5
RXGI-1000W	510	72	50	16	30	6.5

## Applications

- Mostly used in large power supply
- Electricity equipment
- Electrical equipment
- Locomotive

## Derating Curve



## Reference Standards

Q/ATK054-2005



## Technical Specifications

Type	Rated Power (W)	TCR (10 <sup>-6</sup> /K)	Resistance Range	Rating Ambient Temp	Operating Temp Range
			J(±5%)		
RXGI-10W	10	± 250	1R—5K	70°C	-55°C/+155°C
RXGI-15W	15		1R—5K		
RXGI-20W	20		1R—10K		
RXGI-25W	25		1R—10K		
RXGI-30W	30		1R—15K		
RXGI-40W	40		1R—15K		
RXGI-50W	50		1R—20K		
RXGI-75W	75		1R—30K		
RXGI-100W	100		1R—40K		
RXGI-150W	150		1R—50K		
RXGI-200W	200		1R—50K		
RXGI-300W	300		1R—50K		
RXGI-500W	500		2R—10K		
RXGI-800W	800		5R—10K		
RXGI-1000W	1000		5R—10K		

Please contact us for special requirement about resistance, size and specification

## Performance

Test Item	Specifications	Test Methods
Short time overload	$\Delta R \leq \pm(1\%R + 0.05\Omega)$	10P <sub>R</sub> , 5S
Leaching	$\Delta R \leq \pm(1\%R + 0.05\Omega)$	350 ± 10°C, 3.5 ± 0.5S
Endurance	$\Delta R \leq \pm(5\%R + 0.1\Omega)$	15°C~35°C, P <sub>R</sub> , 1000h
Vibration	$\Delta R \leq \pm(5\%R + 0.1\Omega)$	10Hz~50Hz~10Hz, 2h
Surface temperature rise	≤250°C	P <sub>R</sub>

## How to Order

Example

RXGI	N	25W	100Ω	±5%	±250(10 <sup>-6</sup> /K)	box
Type	Series	Power	Nominal Value	Tolerance	TCR	Packaging
RXGI	N T	20W ~ 1200W	100Ω	±2% ±5%	±250(10 <sup>-6</sup> /K)	box